



DCA400SSV

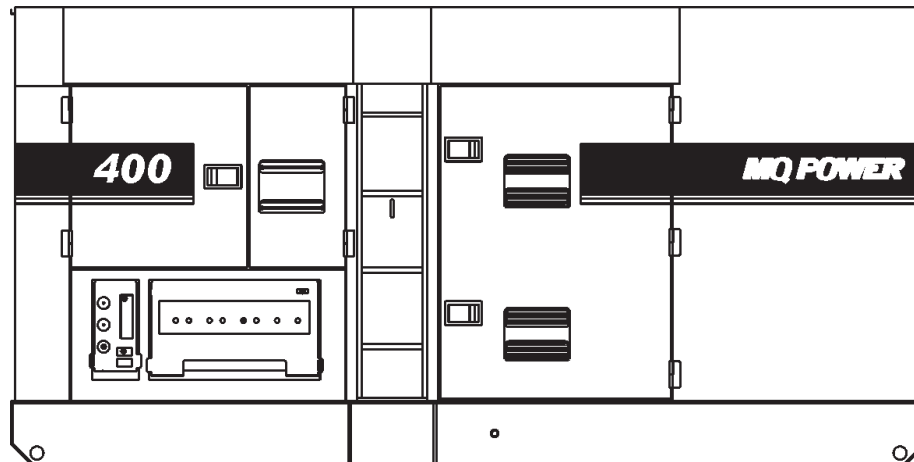
WhisperWatt™ Generator

WhisperWatt™ 400

Prime Rating: 320 kW (400 kVA)

Standby Rating: 352 kW (440 kVA)

60 Hertz



Standard Features

- **Heavy duty, turbocharged, direct injection, air to air intercooled diesel engine** provides maximum reliability.
- **Brushless alternator** reduces service and maintenance requirements and meets temperature rise standards for Class F insulation systems.
- **Open delta alternator design** provides virtually unlimited excitation for maximum motor starting capability.
- **Automatic voltage regulator (AVR)** provides precise regulation.
- **Electronic governor system** maintains frequency to $\pm 0.25\%$.
- **Full load acceptance** of standby nameplate rating in one step (NFPA 110, para 5-13.2.6).
- **Sound attenuated, weather resistant, steel housing** provides operation at 72 dB(A) at 23 feet. Fully lockable enclosure allows safe unattended operation.
- **Internal fuel tank** with direct reading fuel gauges are standard.
- **Fuel / water separator** removes condensation from fuel for extended engine life.
- **Seven-stage powder coat paint** provides durability and weather protection.
- **Simultaneous single and three phase power.**
- **EPA emissions certified.** - Tier 2 emissions compliant.
- **Complete engine analog instrumentation** includes DC ammeter, oil pressure gauge, water temp. gauge, fuel level gauge, tachometer/hour meter, preheat indicator, manual engine speed control, emergency shutdown monitors, and emergency stop button.
- **Complete generator analog instrumentation** includes voltage regulator control, ammeter phase selector switch, voltmeter phase selector switch, AC voltmeter, AC ammeter, frequency meter, panel light, and circuit breaker.
- **Automatic safety shutdown system** monitors the water temperature, engine oil pressure, overspeed, and overcrank. Warning lights indicate abnormal conditions.
- **Low coolant level shutdown system** provides protection from critically low coolant levels. Includes control panel warning light.
- **Auto start/stop control** allows generator to start automatically in the event of a commercial power failure.
- **Complete power panel.** Fully covered; three-phase terminals and single phase receptacles allow fast and convenient hookup for most applications including temporary power boxes, tools and lighting equipment. All are NEMA standard.
- **Emergency stop switch.**
- **Battery switch.**
- **Voltage selector switch** allows easy to change voltages as your applications require. 240/480 Buss Bar.



DCA400SSV

WhisperWatt™ Generator

Specifications

Generator Specifications

Design	Revolving field, Self-ventilated Drip-proof, Single bearing
No. of Poles	4-pole
Excitation	Brushless with AVR
Standby Output	352 KW (440 KVA)
Prime Output	320 KW (400 KVA)
Generator RPM	1800
Voltage — 3Ø	208, 220, 240, 415, 440, 480V Reconnectable
Voltage — 1Ø	120, 127, 139, 240, 254, 277V Adjustable
Armature Connection	Star with neutral
Voltage Regulation (No load to full load)	±0.5%
Power Factor	0.8
Frequency	60 Hz
Frequency Regulation: No Load to Full Load	Isochronous under varying loads from no load to 100% rated load
Frequency Regulation: Steady State	±0.25% of mean value for constant loads from no load to full load
Insulation	Class F
Sound Level dB(A) Full load at 23 feet	72

Engine Specifications

Make / Model	Volvo / TAD1241GE
Emissions	EPA Tier 2 Certified
Starting System	Electric
Design	4-cycle, water cooled, Direct Injection, turbocharged, air to air Intercooled
Displacement	12,130 cc
No. cylinders	6
Bore x Stroke (mm)	131 x 150
Gross Engine Power Output	534 bhp (398 kWm)
BMEP	286 psi (1,970 kPa)
Piston Speed	1,776 ft./min. (9.02 m/s)
Compression Ratio	17.5 : 1
Engine Speed	1800 rpm
Overspeed Limit	2100 rpm
Oil capacity gallons (liters)	9.2 gal. (35 liters)
Battery	12V 150Ah x 2 (24V System)

Fuel System

Maximum Fuel Flow (per hour)	145 gallons (549 liters)	
Maximum Inlet Restriction (Hg)	4.8 in. (122 mm)	
Fuel Tank Capacity	129 gallons (490 liters)	
Fuel Consumption	gph	lph
At full load	20.6	78.1
At 3/4 load	15.4	58.3
At 1/2 load	10.8	41.0
At 1/4 load	6.3	23.7

Cooling System

Fan Load	15 HP (20 KW)
Coolant Capacity (with radiator)	11.6 gallons (44 liters)
Coolant Flow Rate (per minute)	95 gallons (360 liters)
Heat Rejection to Coolant (per minute)	8,132 Btu (8.56 MJ)
Heat Rejection to Engine (per minute)	2,625 Btu (2.77 MJ)
Maximum Coolant Friction Head	8.7 psi (60 kPa)
Maximum Coolant Static Head	16.74 feet (5.1 meters)
Ambient Temperature Rating	95°F (35°C)

Air

Combustion Air	1,024 cfm (29.0 m³/min)
Maximum Air Cleaner Restriction	8 in. H ₂ O (2.0 kPa)
Alternator Cooling Air	2,797 cfm (79.0 m³/min)
Radiator Cooling Air	13,771 cfm (399 m³/min)

Exhaust System

Gas Flow (full load)	2,543 cfm (72.0 m³/min)
Gas Temperature	914°F (490°C)
Maximum Back Pressure	40.2 in. H ₂ O (10 kPa)

Amperage

Rated Voltage	Maximum Amps
1Ø 120 Volt	888.9 Amps (4 wire)
1Ø 240 Volt	444.4 Amps (4 wire)
3Ø 240 Volt	962.3 Amps
3Ø 480 Volt	481.1 Amps
Main Line Circuit Breaker Rating	1000 Amps
Over Current Relay Trip Set Point	480 Amps

Warranty*

Volvo Engine

24 months from date of purchase with unlimited hours.

Generator

24 months from date of purchase or 2000 hours (whichever occurs first).

Trailer

12 months excluding normal wear items.

*Refer to the express written, one-year limited warranty sheet for additional information.

Generator is not intended for use in enclosed areas or where free flow of air is restricted. Backfeed to a utility system can cause electrocution and/or property damage. Do not connect to any building's electrical system except through an approved device.

Specifications are subject to change without notice.



DCA400SSV WhisperWatt™ Generator

MQ POWER DECIBEL LEVELS

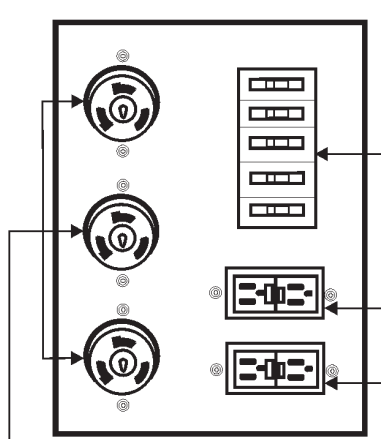
Our soundproof housing allows substantially lower operating noise levels than competitive designs. WhisperWatts are at home on construction sites, in residential neighborhoods, and at hospitals — just about anywhere.

- 90 — Subway / truck traffic
- 80 — Average city traffic
- 72.0 — **WhisperWatt at 23 feet**
- 70 — Inside car at 60 mph
- 60 — Air conditioner at 20 feet
- 50 — Normal conversation



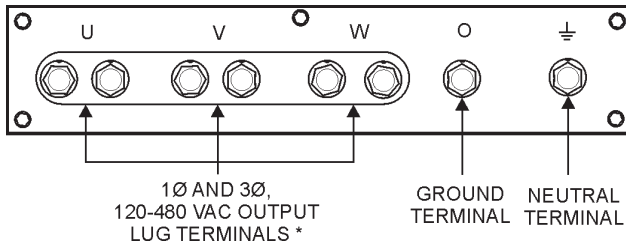
Generator Output Panels

CIRCUIT BREAKERS
TWIST LOCK AND GFCI
RECEPTACLES



CS-6369 TWIST-LOCK
RECEPTACLES (3)
240/139V, 50 AMPS

GFCI RECEPTACLES (2)
120 VAC, 20 AMP



1Ø AND 3Ø,
120-480 VAC OUTPUT
LUG TERMINALS *

GROUND
TERMINAL NEUTRAL
TERMINAL

* Various output voltages may be obtained by using the Voltage Change-Over Board and the Voltage Selector Switch.

Optional Generator Features

- Battery charger** — provides fully automatic and self-adjusting charging to the generator's battery system.
- Jacket water heater** — for easy starting in cold weather climates.
- Special batteries** — long life batteries provide extra engine cranking power.
- Spring Isolators** — provides extra vibration protection for standby applications.
- Trailer mounted package** — highway legal trailer with electronic or surge brakes with single, double, or triple axle configuration. Extra capacity fuel tanks are also available.

Optional Output Connections

- Cam-Loks** — provides quick disconnect alternative to bolt-on connectors.
- Pin and Sleeve Connectors** — provides industry standard connectors for all voltage requirements.
- Output cable** — available in any custom length and size configuration.

Optional Control Features

- Audible alarm** — alerts operator of abnormal conditions.

Optional Fuel Cell Features

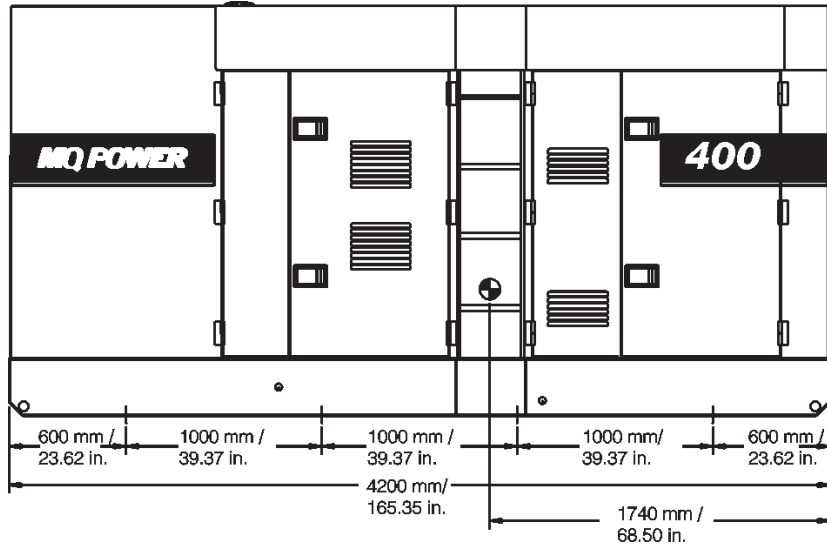
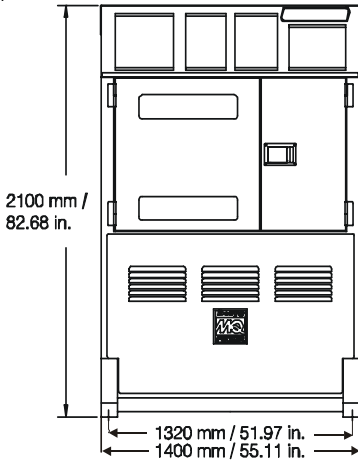
- Trailer fuel tank** — a second fuel cell located in the trailer allows for extended run time.
- Subbase fuel cells (double wall)** — Additional fuel cell for extended runtime operation. Contains a leak sensor, low fuel level switch, and a secondary containment tank. UL142 listed.
 - 12 hours of minimum run time.
 - 24 hours of minimum run time.



DCA400SSV

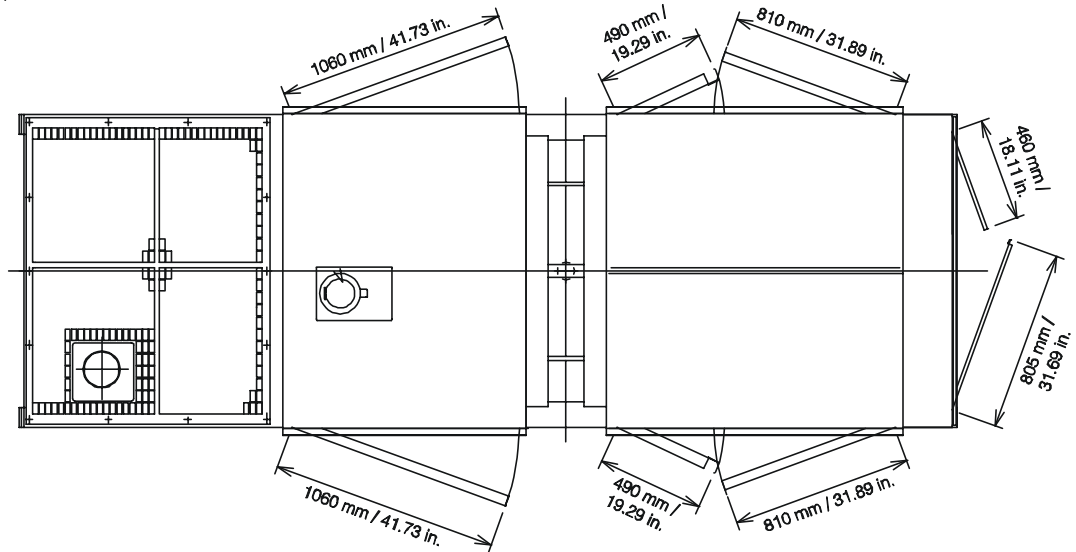
WhisperWatt™ Generator

Dimensions



Weight

Dry Weight	11,136 lbs. (5050 kg)
Wet Weight	12,260 lbs. (5560 kg)



Manufactured by Denyo Co.

Your MQ Power dealer is:



MQ POWER
 POST OFFICE BOX 6254
 CARSON, CA 90749
 310-537-3700 • 800-883-2551
 FAX: 310-604-3831
 E-MAIL: mqpower@multiquip.com
 WWW: mqpower.com