

Notes:

1. Powder coat medium gloss black
2. GAWR: 7,000 lbs
3. GVWR: 14,000 lbs
4. Trailer Weight: 1,650 lbs
5. Total Weight (When Applicable)
 No Fuel: 11,200 lbs
 With Fuel and DEF: 13,450 lbs
6. ECH GEN128646 shown for fit-up reference only. To be installed when genset accessories are installed

Customer has reviewed and approves fabrication drawing for accuracy, completeness and compliance with customer supplied design and specifications. This fabrication drawing serves as a contract addendum to

Quote #

CUSTOMER APPROVAL:

NAME: _____

DATE: _____

REVISION HISTORY

REV	BY	DATE	DESCRIPTION

	INITIALS	DATE
DRAWN:	DDF	6/26/2019
CHECKED:		

TOLERANCES
 EXCEPT AS NOTED
 FRACTIONAL ±1/4"
 DECIMAL
 .XX ± .125
 .XXX ± .062
 ANGULAR ±2°



UNITED ALLOY, INC.
 Custom Metal Fabricated Products
 4100 Kennedy Road Phone (608) 758-4717
 Janesville, WI 53545 Fax (608) 758-1272

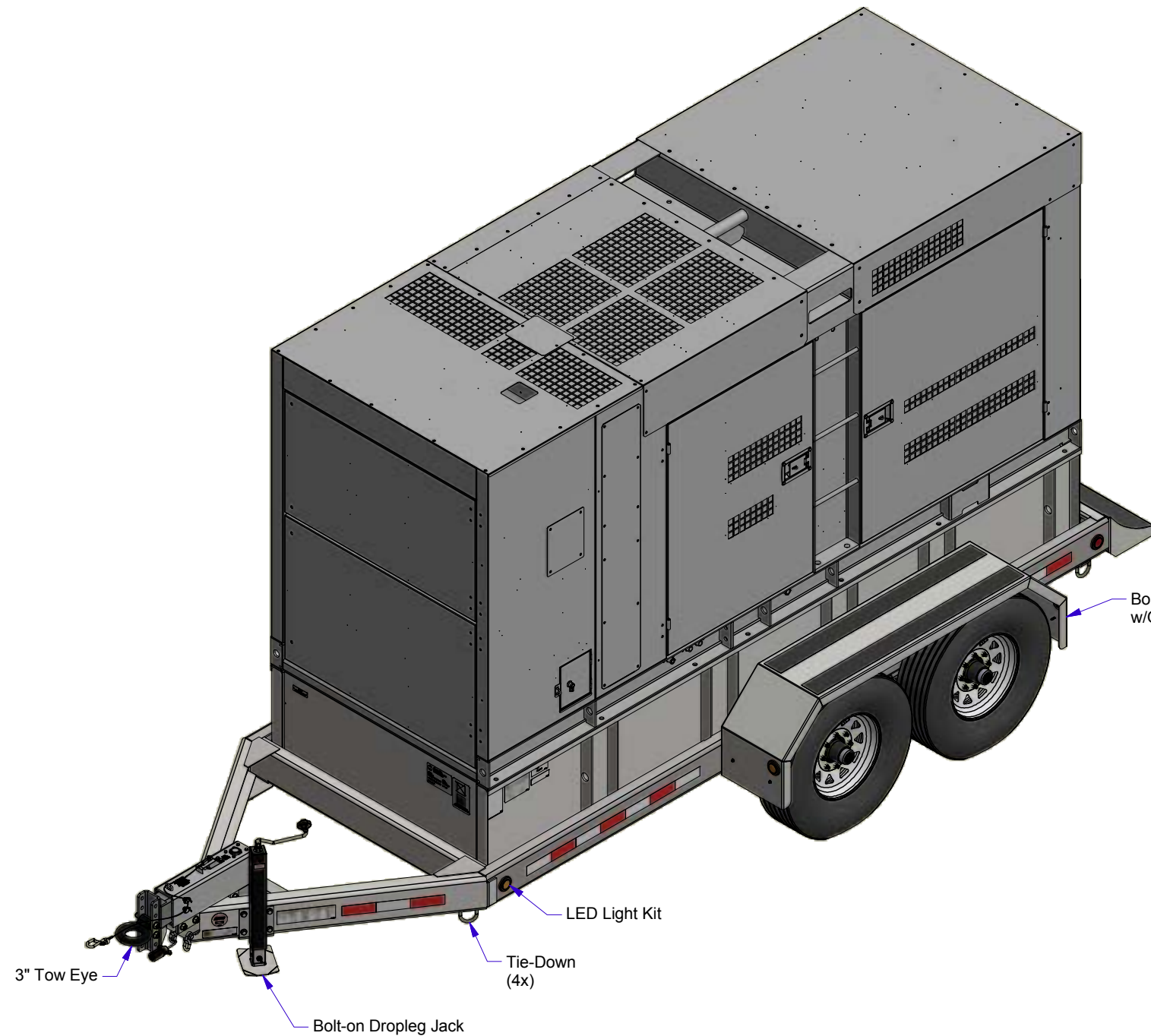
CONFIDENTIAL AND PROPRIETARY:
 This document and the information contained herein are the property of United Alloy, Incorporated. They are to be used only for the purposes for which they are loaned, and this document is to be returned to United Alloy, Inc. immediately after serving such purpose. This document is not to be copied or reproduced without the written permission of United Alloy, Inc.

DESCRIPTION: TRAILER, 180kVA

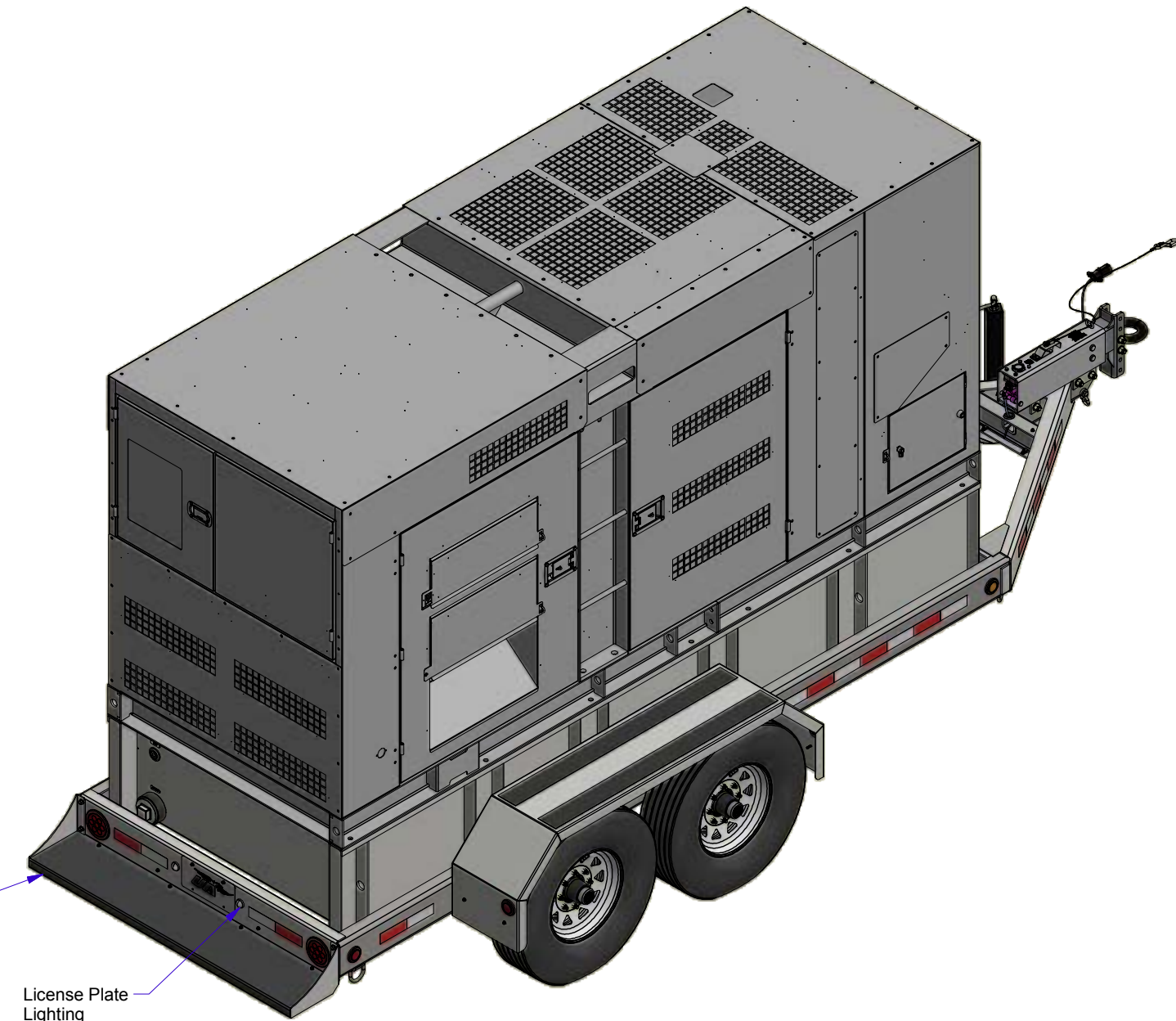
DRAWING NO: ECH TRL128646H APPROVAL

REV

00



Bolt-on Fenders w/Grip Tape



Braided Wire Harness w/7-Pin RV Plug (Ref: Pollak P/N 12-706)

- Notes:**
1. Powder coat medium gloss black
 2. GAWR: 7,000 lbs
 3. GVWR: 14,000 lbs
 4. Trailer Weight: 1,650 lbs
 5. Total Weight (When Applicable)
 - No Fuel: 11,200 lbs
 - With Fuel and DEF: 13,450 lbs
 6. ECH GEN128646 shown for fit-up reference only. To be installed when genset accessories are installed

Customer has reviewed and approves fabrication drawing for accuracy, completeness and compliance with customer supplied design and specifications. This fabrication drawing serves as a contract addendum to

Quote #

CUSTOMER APPROVAL:

NAME: _____

DATE: _____

REVISION HISTORY

REV	BY	DATE	DESCRIPTION

	INITIALS	DATE
DRAWN:	DDF	6/26/2019
CHECKED:		

TOLERANCES
 EXCEPT AS NOTED
 FRACTIONAL ±1/4"
 DECIMAL
 .XX ± .125
 .XXX ± .062
 ANGULAR ±2°



UNITED ALLOY, INC.
 Custom Metal Fabricated Products
 4100 Kennedy Road Phone (608) 758-4717
 Janesville, WI 53545 Fax (608) 758-1272

CONFIDENTIAL AND PROPRIETARY:
 This document and the information contained herein are the property of United Alloy, Incorporated. They are to be used only for the purposes for which they are loaned, and this document is to be returned to United Alloy, Inc. immediately after serving such purpose. This document is not to be copied or reproduced without the written permission of United Alloy, Inc.

DESCRIPTION: TRAILER, 180kVA	REV
DRAWING NO: ECH TRL128646H APPROVAL	00



Turnkey Industries is an expert in the field of purchasing and selling pre-owned industrial generators. We offer many different brands, sizes, and capacities of generators. We fulfill orders across the country and beyond, and our elaborate preparatory processes ensure that our equipment is ready for immediate usage on arrival.

[See All Inventory](#)



**Immediate
Availability**



**Worldwide
Delivery**



**Low Hour
Generator Sets**

Contact Us



sales@turnkey-industries.com



713-823-0890



Turnkey Industries, LLC
P.O. Box 3876 Humble, TX 77347

