



DCA150SSVU

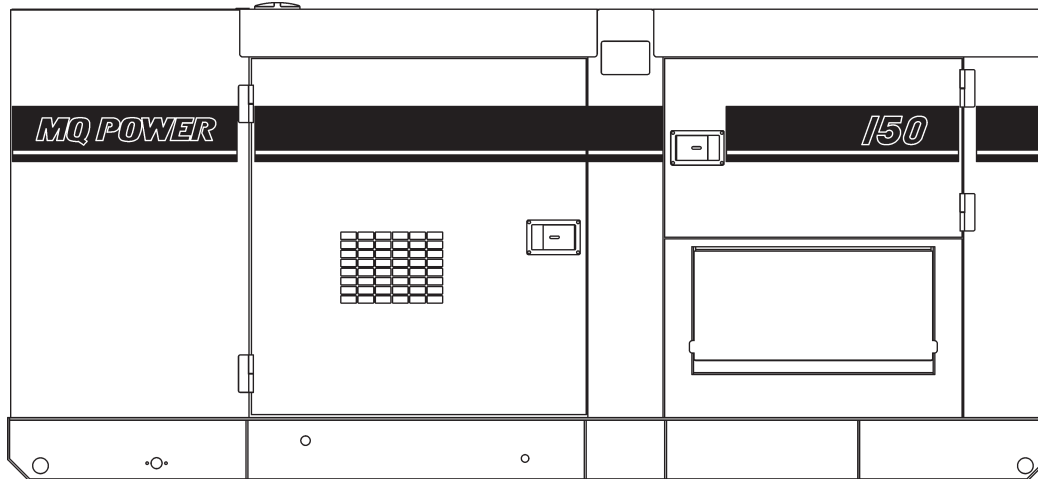
WhisperWatt Generator

WhisperWatt 150

Prime Rating: 120 kW (150 kVA)

Standby Rating: 132 kW (165 kVA)

60 Hertz



WhisperWatt Standard Features

- **Heavy duty, 4-cycle, direct injection, turbocharged, air to air intercooled diesel engine** provides maximum reliability.
- **Brushless alternator** reduces service and maintenance requirements and meets temperature rise standards for Class F insulation systems.
- **Open delta alternator design** provides virtually unlimited excitation for maximum motor starting capability.
- **Automatic voltage regulator (AVR)** provides precise regulation.
- **Electronic governor system** maintains frequency to $\pm 0.25\%$.
- **Full load acceptance** of standby nameplate rating in one step (NFPA 110, para 5-13.2.6).
- **Sound attenuated, weather resistant, steel housing** provides operation at 72 dB(A) at 23 feet. Fully lockable enclosure allows safe unattended operation.
- **Internal fuel tank** with direct reading fuel gauges are standard.
- **Fuel/water separator** removes condensation from fuel for extended engine life.
- **Seven-stage powder coat paint** provides durability and weather protection.
- **EPA-MOH emissions certified.**
- **Complete engine analog instrumentation** includes DC ammeter, oil pressure gauge, water temp. gauge, fuel level gauge, tachometer/hour meter, manual engine speed control, and emergency shutdown monitors.
- **Complete generator analog instrumentation** includes voltage regulator control, ammeter phase selector switch, voltmeter phase selector switch, AC voltmeter, AC ammeter, frequency meter, panel light, and circuit breaker.
- **Automatic safety shutdown system** monitors the water temperature, engine oil pressure, overspeed, and overcrank. Warning lights indicate abnormal conditions.
- **Low coolant level shutdown system** provides protection from critically low coolant levels. Includes control panel warning light.
- **Auto start/stop control** allows generator to start automatically in the event of a commercial power failure.
- **Complete power panel.** Fully covered; three-phase terminals and single phase receptacles allow fast and convenient hookup for most applications including temporary power boxes, tools and lighting equipment. All are NEMA standard.
- **Simultaneous single and three phase power.**
- **Voltage selector switch** allows easy to change voltages as your applications require.



DCA150SSVU

WhisperWatt Generator

Specifications

Generator Specifications	
Design	Revolving field, Self-ventilated Drip-proof, Single bearing
No. of Poles	4-pole
Excitation	Brushless with AVR
Standby Output	132 KW (165 KVA)
Prime Output	120 KW (150 KVA)
Generator RPM	1800
Voltage — 3Ø	208, 220, 240, 415, 440, 480V Switchable
Voltage — 1Ø	120, 127, 139, 240, 254, 277V Switchable
Armature Connection	Star with neutral / Zig-Zag
Voltage Regulation (No load to full load)	±1.0%
Power Factor	0.8
Frequency	60 Hz
Frequency Regulation: No Load to Full Load	Isochronous under varying loads from no load to 100% rated load
Frequency Regulation: Steady State	±0.25% of mean value for constant loads from no load to full load
Insulation	Class F
Sound Level dB(A) Full load at 23 feet	72

Engine Specifications	
Make / Model	Volvo / TAD720GE
Emissions	EPA Tier 2 Certified
Starting System	Electric
Design	4-cycle Water cooled Direct injection Turbocharged Air to Air Intercooled
Displacement	436.3 in ³ (7150 cc)
No. cylinders	6
Bore x Stroke (mm)	108 x 130
Gross Engine Power Output	218 bhp (163 kW)
BMEP	218 psi (1503 kPa)
Piston Speed	1536 ft./min. (7.80 m/s)
Compression Ratio	17.5 : 1
Engine Speed	1800 rpm
Overspeed Limit	2100 rpm
Oil capacity gallons (liters)	5.3 (20)
Battery	12V 128Ah x 1

Fuel System	
Maximum Fuel Flow (per hour)	118.9 gallons (450 liters)
Maximum Inlet Restriction (Hg)	4.3 in. (110 mm)
Fuel Tank Capacity	68.7 gallons (260 liters)
Fuel Consumption	
At full load gph (lph)	8.5 (32.2)
At 3/4 load gph (lph)	6.5 (24.4)
At 1/2 load gph (lph)	4.9 (18.5)
At 1/4 load gph (lph)	3.3 (12.4)

Cooling System	
Fan Load	8.9 hp (6.6 kW)
Coolant Capacity (with radiator)	6.3 gallons (23.8 liters)
Coolant Flow Rate (per minute)	57.6 gallons (218 liters)
Heat Rejection to Coolant (per minute)	4828 Btu (5.1 MJ)
Heat Radiated to Room (per minute)	1115 Btu (1.2 MJ)
Maximum Coolant Friction Head	5.1 psi (35 kPa)
Maximum Coolant Static Head	33.5 feet (10.2 meters)
Ambient Temperature Rating	95°F (35°C)

Air	
Combustion Air	489 cfm (13.8 m ³ /min)
Maximum Air Cleaner Restriction	12 in. H ₂ O (3.0 kPa)
Alternator Cooling Air	1352 cfm (38.3 m ³ /min)
Radiator Cooling Air	6569 cfm (186 m ³ /min)
Minimum Air Opening to Room	11.9 sq.ft. (1.11 sq.m)
Minimum Discharge Opening	4.41 sq.ft. (0.41 sq.m)

Exhaust System	
Gas Flow (full load)	1105 cfm (31.3 m ³ /min)
Gas Temperature	811°F (433°C)
Maximum Back Pressure	28 in. H ₂ O (7 kPa)

Amperage	
Rated Voltage	Maximum Amps
1Ø 120 Volt	333.3 amps (4 wire)
1Ø 240 Volt	166.7 amps (4 wire)
3Ø 240 Volt	361 amps
3Ø 480 Volt	180 amps

Warranty*

Volvo Engine

24 months from date of purchase and unlimited hours.

*Refer to the express written, Engine warranty sheet for additional coverage information.

Generator

12 months from date of purchase or 1000 hours (whichever occurs first).

*Refer to the express written, one-year limited warranty sheet for additional information.

Backfeed to a utility system can cause electrocution and/or property damage. Do not connect to any building's electrical system except through an approved device.

Specifications are subject to change without notice.



DCA150SSVU

WhisperWatt Generator

MQ POWER DECIBEL LEVELS

Our soundproof housing allows substantially lower operating noise levels than competitive designs. WhisperWatts are at home on construction sites, in residential neighborhoods, and at hospitals — just about anywhere.

- 90 — Subway / truck traffic
- 80 — Average city traffic
- 72.0 — **WhisperWatt at 23 feet**
- 70 — Inside car at 60 mph
- 60 — Air conditioner at 20 feet
- 50 — Normal conversation

72.0
DECIBELS

Optional Generator Features

- Battery charger** — provides fully automatic and self-adjusting charging to the generator's battery system.
- Jacket water heater** — for easy starting in cold weather climates.
- Special batteries** — long life batteries provide extra engine cranking power.
- Spring isolaters** — provides extra vibration protection for standby applications.
- Trailer mounted package** — highway legal trailer with electronic or surge brakes with single or double axle configuration. Extra capacity fuel tanks are also available.

Optional Control Features

- Emergency stop switch.**
- Audible alarm** — alerts operator of abnormal conditions.

Optional Fuel Cell Features

- Trailer fuel tank** — a second fuel cell located in the trailer allows for extended run time.
- Sub-base fuel cells (double wall)** — Additional fuel cell for extended runtime operation. Contains a leak sensor, low fuel level switch, and a secondary containment tank. UL142 listed.
 - 12 hours of minimum run time.
 - 24 hours of minimum run time.

Optional Output Connections

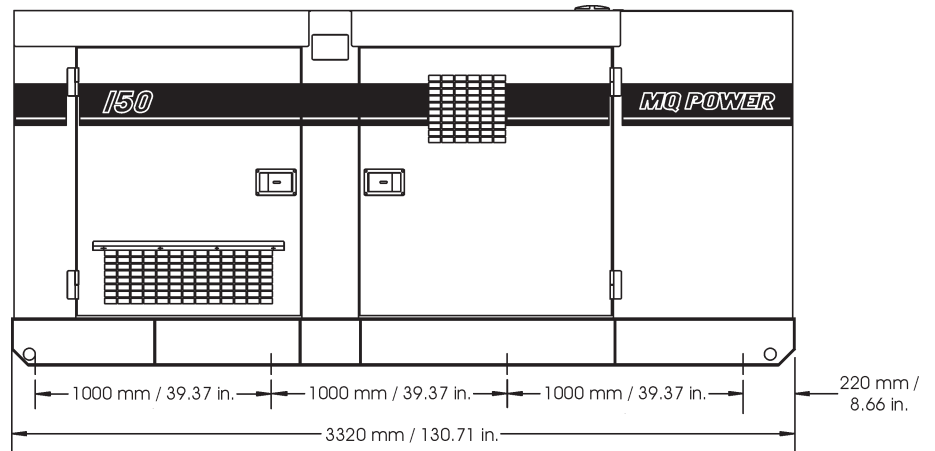
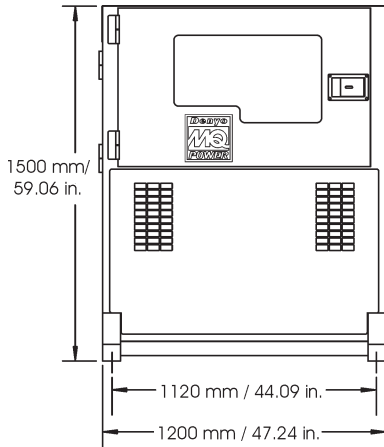
- Cam-Loks** — provides quick disconnect alternative to bolt-on connectors.
- Pin and Sleeve Connectors** — provides industry standard connectors for all voltage requirements.
- Output Cable** — available in any custom length and size configuration.



DCA150SSVU

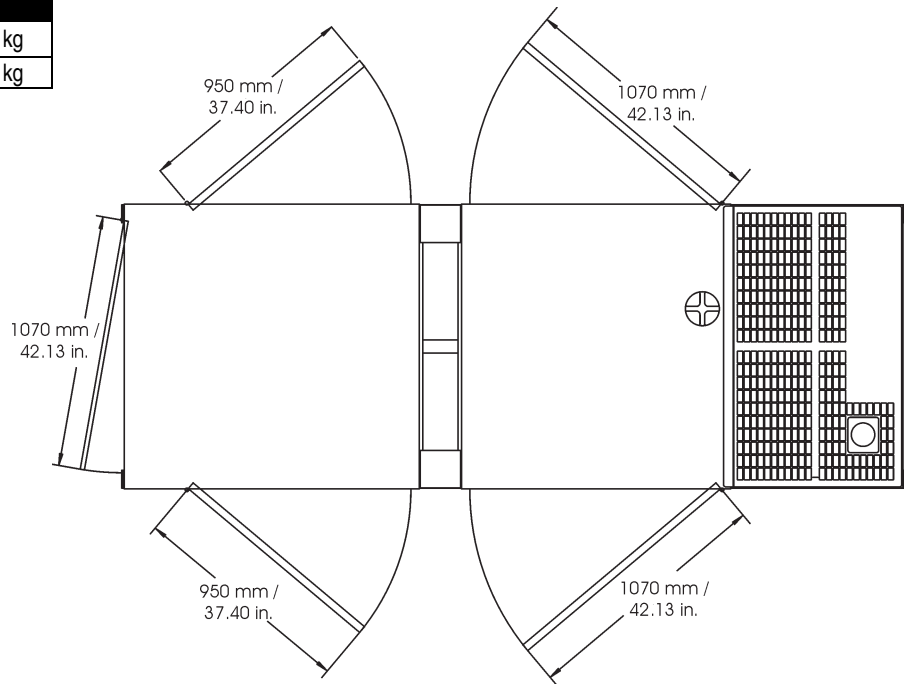
WhisperWatt Generator

Dimensions



Weight

Dry Weight	5071 lbs. / 2300 kg
Wet Weight	5688 lbs. / 2580 kg



Manufactured by Denyo Co.

Your MQ Power dealer is:



MQ POWER
 POST OFFICE BOX 6254
 CARSON, CA 90749
 310-537-3700 • 800-883-2551
 FAX: 310-604-3831
 E-MAIL: mqpower@multiquip.com
 WEBSITE: www.mqpower.com