

Cat® 3512

Diesel Generator Sets



Image shown may not reflect actual configuration

Bore – mm (in)	170 (6.69)
Stroke – mm (in)	190 (7.48)
Displacement – L (in ³)	51.8 (3161.03)
Compression Ratio	13.5:1
Aspiration	TA
Fuel System	MUI
Governor Type	Woodward

Standby 60 Hz ekW (kVA)	Mission Critical 60 Hz ekW (kVA)	Prime 60 Hz ekW (kVA)	Continuous 60 Hz ekW (kVA)	Emissions Performance
1100 (1375)	1100 (1375)	1000 (1250)	890 (1113)	Optimized for Low Fuel Consumption
1250 (1563)	1250 (1563)	1135 (1419)	1010 (1263)	Optimized for Low Fuel Consumption

Features

Cat® Diesel Engine

- Designed and optimized for low fuel consumption
- Reliable performance proven in thousands of applications worldwide

Generator Set Package

- Accepts 100% block load in one step and meets NFPA 110 loading requirements
- Conforms to ISO 8528-5 G3 load acceptance requirements
- Reliability verified through torsional vibration, fuel consumption, oil consumption, transient performance, and endurance testing

Alternators

- Superior motor starting capability minimizes need for oversizing generator
- Designed to match performance and output characteristics of Cat diesel engines

Cooling System

- Cooling systems available to operate in ambient temperatures up to 50°C (122°F)
- Tested to ensure proper generator set cooling

EMCP 4 Control Panels

- User-friendly interface and navigation
- Scalable system to meet a wide range of installation requirements
- Expansion modules and site specific programming for specific customer requirements

Warranty

- 24 months/1000-hour warranty for standby and mission critical ratings
- 12 months/unlimited hour warranty for prime and continuous ratings
- Extended service protection is available to provide extended coverage options

Worldwide Product Support

- Cat dealers have over 1,800 dealer branch stores operating in 200 countries
- Your local Cat dealer provides extensive post-sale support, including maintenance and repair agreements

Financing

- Caterpillar offers an array of financial products to help you succeed through financial service excellence
- Options include loans, finance lease, operating lease, working capital, and revolving line of credit
- Contact your local Cat dealer for availability in your region

Standard and Optional Equipment

Engine

Air Cleaner

- Single element
- Dual element
- Heavy duty

Muffler

- Industrial grade (15 dB)

Starting

- Standard batteries
- Oversized batteries
- Standard electric starter(s)
- Dual electric starter(s)
- Air starter(s)
- Jacket water heater

Alternator

Output voltage

- 380V 6300V
- 416V 6600V
- 440V 6900V
- 480V 12470V
- 600V 13200V
- 4160V 13800V

Temperature Rise (over 40°C ambient)

- 150°C
- 125°C/130°C
- 105°C
- 80°C

Winding type

- Random wound
- Form wound

Excitation

- Internal excitation (IE)
- Permanent magnet (PM)

Attachments

- Anti-condensation heater
- Stator and bearing temperature monitoring and protection

Power Termination

Type

- Bus bar
- Circuit breaker
- 1600A 2000A
- 2500A 3000A
- 3200A
- UL IEC
- 3-pole 4-pole
- Manually operated
- Electrically operated

Trip Unit

- LSI LSI-G
- LSIG-P

Control System

Controller

- EMCP 4.2B

Attachments

- Local annunciator module
- Remote annunciator module
- Expansion I/O module
- Remote monitoring software

Charging

- Battery charger – 10A
- Battery charger – 20A
- Battery charger – 35A

Vibration Isolators

- Rubber
- Spring
- Seismic rated

Cat Connect

Connectivity

- Ethernet
- Cellular

Extended Service Options

Terms

- 2 year (prime)
- 3 year
- 5 year
- 10 year

Coverage

- Silver
- Gold
- Platinum
- Platinum Plus

Ancillary Equipment

- Automatic transfer switch (ATS)
- Paralleling switchgear
- Paralleling controls

Certifications

- UL 2200 Listed
- CSA
- IBC seismic certification
- HCAI pre-approval

Note: Some options may not be available on all models. Certifications may not be available with all model configurations. Consult factory for availability.

Package Performance

Performance	Standby		Mission Critical		Prime		Continuous	
Frequency	60 Hz		60 Hz		60 Hz		60 Hz	
Gen set power rating with fan	1100 ekW		1100 ekW		1000 ekW		890 ekW	
Gen set power rating with fan @ 0.8 power factor	1375 kVA		1375 kVA		1250 kVA		1113 kVA	
Emissions	Low Fuel		Low Fuel		Low Fuel		Low Fuel	
Performance number	DM8224-02		EM2840-00		DM8225-04		DM8226-02	
Fuel Consumption								
100% load with fan – L/hr (gal/hr)	294.1	(77.7)	294.1	(77.7)	268.5	(70.9)	235.3	(62.2)
75% load with fan – L/hr (gal/hr)	224.2	(59.2)	224.2	(59.2)	205.1	(54.2)	183.6	(48.5)
50% load with fan – L/hr (gal/hr)	160.9	(42.5)	160.9	(42.5)	147.5	(39.0)	133.2	(35.2)
25% load with fan – L/hr (gal/hr)	99.0	(26.1)	99.0	(26.1)	92.2	(24.3)	84.2	(22.2)
Cooling System								
Radiator air flow restriction (system) – kPa (in. water)	0.12	(0.48)	0.12	(0.48)	0.12	(0.48)	0.12	(0.48)
Radiator air flow – m ³ /min (cfm)	1088	(38422)	1088	(38422)	1088	(38422)	1088	(38422)
Engine coolant capacity – L (gal)	156.8	(41.4)	156.8	(41.4)	156.8	(41.4)	156.8	(41.4)
Radiator coolant capacity – L (gal)	130.0	(34.3)	130.0	(34.3)	130.0	(34.3)	130.0	(34.3)
Total coolant capacity – L (gal)	286.8	(75.7)	286.8	(75.7)	286.8	(75.7)	286.8	(75.7)
Inlet Air								
Combustion air inlet flow rate – m ³ /min (cfm)	92.3	(3259.0)	92.3	(3259.0)	99.2	(3504.1)	85.2	(3008.5)
Exhaust System								
Exhaust stack gas temperature – °C (°F)	524.0	(975.2)	524.0	(975.2)	470.0	(878.0)	452.1	(845.8)
Exhaust gas flow rate – m ³ /min (cfm)	258.9	(9141.4)	258.9	(9141.4)	253.9	(8963.8)	215.7	(7616.5)
Exhaust system backpressure (maximum allowable) – kPa (in. water)	6.7	(27.0)	6.7	(27.0)	6.7	(27.0)	6.7	(27.0)
Heat Rejection								
Heat rejection to jacket water – kW (Btu/min)	729	(41455)	729	(41455)	654	(37196)	580	(32984)
Heat rejection to exhaust (total) – kW (Btu/min)	1202	(68352)	1202	(68352)	1072	(60962)	933	(53058)
Heat rejection to aftercooler – kW (Btu/min)	134	(7619)	134	(7619)	140	(7989)	104	(5914)
Heat rejection to atmosphere from engine – kW (Btu/min)	122	(6938)	122	(6938)	116	(6589)	114	(6483)
Heat rejection from alternator – kW (Btu/min)	63	(3586)	63	(3586)	55	(3131)	48	(2732)
Emissions* (Nominal)								
NOx mg/Nm ³ (g/hp-h)	4083.4	(8.92)	4083.4	(8.92)	4744.9	(9.39)	4809.7	(9.40)
CO mg/Nm ³ (g/hp-h)	593.6	(1.30)	593.6	(1.30)	469.4	(0.93)	427.6	(0.84)
HC mg/Nm ³ (g/hp-h)	74.1	(1.16)	74.1	(1.16)	140.4	(0.28)	177.8	(0.35)
PM mg/Nm ³ (g/hp-h)	108.2	(0.24)	108.2	(0.24)	71.9	(0.14)	69.0	(0.13)
Emissions* (Potential Site Variation)								
NOx mg/Nm ³ (g/hp-h)	4900.1	(10.70)	4900.1	(10.70)	5693.9	(11.27)	5771.6	(11.29)
CO mg/Nm ³ (g/hp-h)	1068.4	(2.33)	1068.4	(2.33)	844.9	(1.67)	769.7	(1.50)
HC mg/Nm ³ (g/hp-h)	98.6	(0.22)	98.6	(0.22)	186.7	(0.37)	236.5	(0.46)
PM mg/Nm ³ (g/hp-h)	151.5	(0.33)	151.5	(0.33)	100.7	(0.20)	96.6	(0.19)

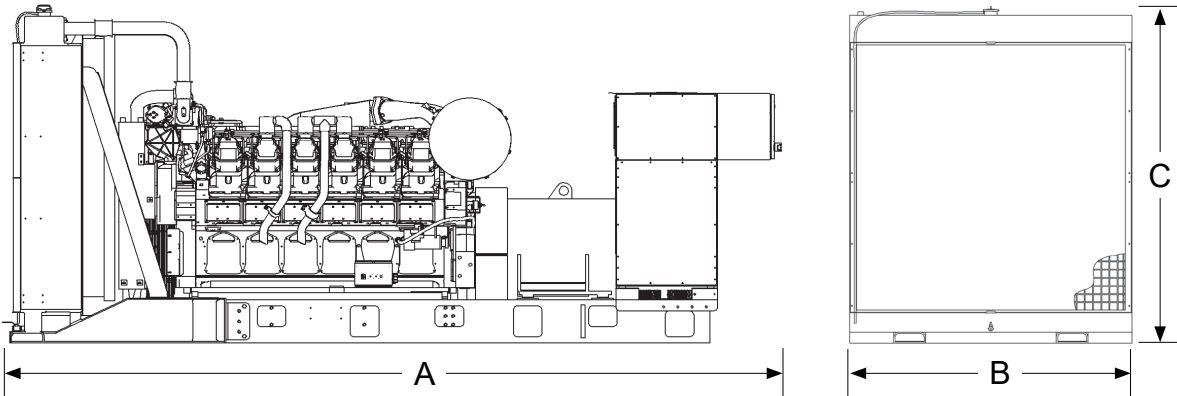
*mg/Nm³ levels are corrected to 5% O₂. Contact your local Cat dealer for further information.

Package Performance

Performance	Standby	Mission Critical	Prime	Continuous
Frequency	60 Hz	60 Hz	60 Hz	60 Hz
Gen set power rating with fan	1250 ekW	1250 ekW	1135 ekW	1010 ekW
Gen set power rating with fan @ 0.8 power factor	1563 kVA	1563 kVA	1419 kVA	1263 kVA
Emissions	Low Fuel	Low Fuel	Low Fuel	Low Fuel
Performance number	DM8227-04	EM0831-00	DM8228-03	DM8229-02
Fuel Consumption				
100% load with fan – L/hr (gal/hr)	342.7 (90.5)	342.7 (90.5)	311.0 (82.2)	266.7 (70.4)
75% load with fan – L/hr (gal/hr)	251.1 (66.3)	251.1 (66.3)	231.8 (61.2)	207.2 (54.7)
50% load with fan – L/hr (gal/hr)	179.0 (47.3)	179.0 (47.3)	166.4 (44.0)	149.7 (39.6)
25% load with fan – L/hr (gal/hr)	108.4 (28.6)	108.4 (28.6)	102.3 (27.0)	93.7 (24.7)
Cooling System				
Radiator air flow restriction (system) – kPa (in. water)	0.12 (0.48)	0.12 (0.48)	0.12 (0.48)	0.12 (0.48)
Radiator air flow – m ³ /min (cfm)	1397 (49334)	1397 (49334)	1397 (49334)	1397 (49334)
Engine coolant capacity – L (gal)	156.8 (41.4)	156.8 (41.4)	156.8 (41.4)	156.8 (41.4)
Radiator coolant capacity – L (gal)	130.0 (34.3)	130.0 (34.3)	130.0 (34.3)	130.0 (34.3)
Total coolant capacity – L (gal)	286.8 (75.7)	286.8 (75.7)	286.8 (75.7)	286.8 (75.7)
Inlet Air				
Combustion air inlet flow rate – m ³ /min (cfm)	106.0 (3742.9)	106.0 (3742.9)	104.7 (3697.0)	94.5 (3336.8)
Exhaust System				
Exhaust stack gas temperature – °C (°F)	541.7 (1007.0)	541.7 (1007.0)	507.7 (945.9)	457.8 (856.0)
Exhaust gas flow rate – m ³ /min (cfm)	305.8 (10797.8)	305.8 (10797.8)	283.3 (10003.4)	241.6 (8530.9)
Exhaust system backpressure (maximum allowable) – kPa (in. water)	6.7 (27.0)	6.7 (27.0)	6.7 (27.0)	6.7 (27.0)
Heat Rejection				
Heat rejection to jacket water – kW (Btu/min)	845 (48053)	845 (48053)	763 (43389)	656 (37305)
Heat rejection to exhaust (total) – kW (Btu/min)	1432 (81434)	1432 (81434)	1275 (72506)	1053 (59882)
Heat rejection to aftercooler – kW (Btu/min)	227 (12909)	227 (12909)	192 (10919)	145 (8246)
Heat rejection to atmosphere from engine – kW (Btu/min)	126 (7165)	126 (7165)	123 (6995)	118 (6710)
Heat rejection from alternator – kW (Btu/min)	64 (3643)	64 (3643)	57 (3244)	48 (2732)
Emissions* (Nominal)				
NOx mg/Nm ³ (g/hp-h)	5447.4 (9.93)	5447.4 (9.93)	5028.4 (9.81)	4727.0 (9.40)
CO mg/Nm ³ (g/hp-h)	709.8 (1.29)	709.8 (1.29)	581.6 (1.13)	474.9 (0.94)
HC mg/Nm ³ (g/hp-h)	54.3 (0.10)	54.3 (0.10)	95.1 (0.19)	134.9 (0.27)
PM mg/Nm ³ (g/hp-h)	105.8 (0.19)	105.8 (0.19)	88.7 (0.17)	72.6 (0.14)
Emissions* (Potential Site Variation)				
NOx mg/Nm ³ (g/hp-h)	6536.9 (11.92)	6536.9 (11.92)	6034.1 (11.77)	5672.4 (11.27)
CO mg/Nm ³ (g/hp-h)	1277.6 (2.33)	1277.6 (2.33)	1046.9 (2.04)	854.8 (1.70)
HC mg/Nm ³ (g/hp-h)	72.2 (0.13)	72.2 (0.13)	126.5 (0.25)	179.4 (0.36)
PM mg/Nm ³ (g/hp-h)	148.1 (0.27)	148.1 (0.27)	124.2 (0.24)	101.6 (0.20)

*mg/Nm³ levels are corrected to 5% O₂. Contact your local Cat dealer for further information.

Weights and Dimensions



Standby 60 Hz ekW (kVA)	Mission Critical 60 Hz ekW (kVA)	Prime 60 Hz ekW (kVA)	Continuous 60 Hz ekW (kVA)	Dim "A" mm (in)	Dim "B" mm (in)	Dim "C" mm (in)	Dry Weight kg (lb)
1100 (1375)	1100 (1375)	1000 (1250)	890 (1113)	5462 (215.0)	1984 (78.1)	2305 (90.7)	10 310 (22,730)
1250 (1563)	1250 (1563)	1135 (1419)	1010 (1263)	5562 (219.0)	1984 (78.1)	2305 (90.7)	10 500 (23,149)

Note: For reference only. Do not use for installation design. Contact your local Cat dealer for precise weights and dimensions.

Ratings Definitions

Standby

Output available with varying load for the duration of the interruption of the normal source power. Average power output is 70% of the standby rated ekW. Typical operation is 200 hours per year, with maximum expected usage of 500 hours per year.

Mission Critical

Output available with varying load for the duration of the interruption of the normal source power. Average power output is 85% of the mission critical rated ekW. Typical peak demand up to 100% of rated ekW for up to 5% of the operating time. Typical operation is 200 hours per year, with maximum expected usage of 500 hours per year.

Prime

Output available with varying load for an unlimited time. Average power output is 70% of the prime rated ekW. Typical peak demand is 100% of prime rated ekW with 10% overload capability for emergency use for a maximum of 1 hour in 12. Overload operation cannot exceed 25 hours per year.

Continuous

Output available with non-varying load for an unlimited time. Average power output is 70-100% of the continuous rated ekW. Typical peak demand is 100% of continuous rated ekW for 100% of the operating hours.

Applicable Codes and Standards

AS 1359, CSA C22.2 No. 100-04, UL 142, UL 489, UL 869, UL 2200, IBC, IEC 60034-1, ISO 3046, ISO 8528, NEMA MG1-22, NEMA MG1-33, 2014/35/EU, 2006/42/EC, 2014/30/EU and facilitates compliance to NFPA 37, NFPA 70, NFPA 99, NFPA 110.

Note: Codes may not be available in all model configurations. Please consult your local Cat dealer for availability.

Data Center Applications

- All ratings Tier III/Tier IV compliant per Uptime Institute requirements.
- All ratings ANSI/TIA-942 compliant for Rated-1 through Rated-4 data centers.

Fuel Rates

Fuel consumption reported in accordance with ISO 3046-1, based on fuel oil of 35° API [16°C (60°F)] gravity having an LHV of 42,780 kJ/kg (18,390 Btu/lb) when used at 15°C (59°F) and weighing 850 g/liter (7.0936 lbs/U.S. gal.) All fuel consumption values refer to rated engine power.

Materials and specifications are subject to change without notice. The International System of Units (SI) is used in this publication.

CAT, CATERPILLAR, LET'S DO THE WORK, their respective logos, "Caterpillar Corporate Yellow", the "Power Edge" and Cat "Modern Hex" trade dress as well as corporate and product identity used herein, are trademarks of Caterpillar and may not be used without permission.